

# **39th Annual Holiday Craft Show**

**Saturday, December 3, 2023**

**9 AM- 4 PM**

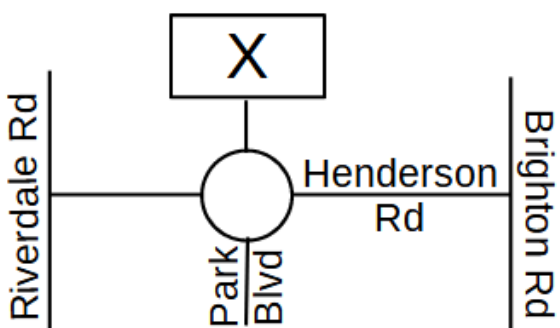
**Adams County Fair Grounds  
97 55 Henderson Rd, Brighton**

**Free Parking  
Variety of food  
trucks**

**Admission \$3 cash  
only  
Children 12 & under  
are free**



**160+ Artisans will be offering handmade products of  
all price ranges**



**Benefits Adams County Historical Society and Museum**